



Secomak gas boosters offer:

- Over 40 incident-free years of gas booster installations
- Compliance with BS 8487
- Pressure switches and controls to IM/16
- Run & Standby Operation
- Compatibility with BMS
- Pressure lifts up to 80mbar
- Flow rates upto 1250 m³/hr
- Maximum outlet pressure 150mbar
- Suitable for natural gas, town gas and biogas

Installation kits include;

- Anti-vibration mounts
- Flexible connectors
- Gaskets, bolts and nuts
- Non-return valves.



The recent introduction of BS 8487:2007 'The design and construction of gas boosters' has created a common base for all gas boosters, and the refinements that Secomak have brought to the design have added an increased dimension to the word 'safe'. So...

...the safe choice just got safer!

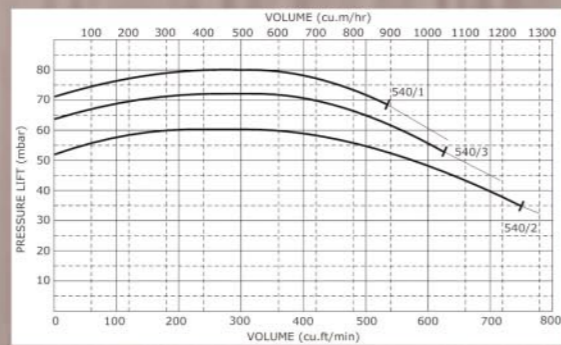
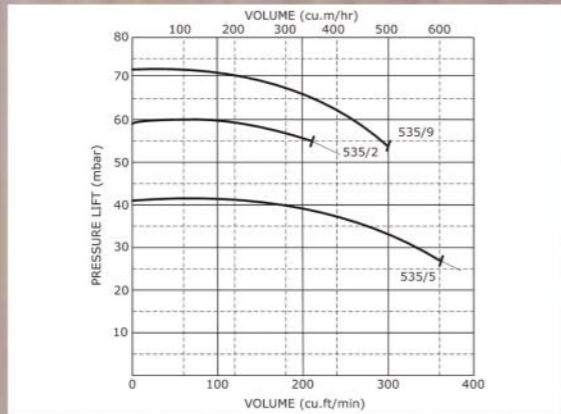
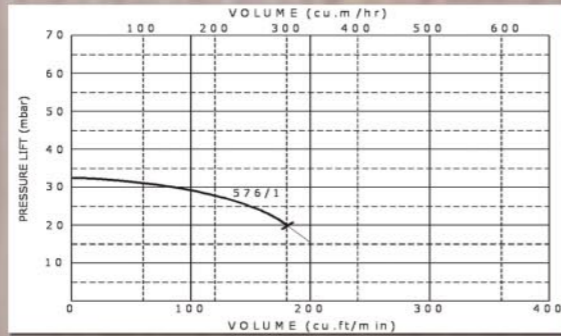
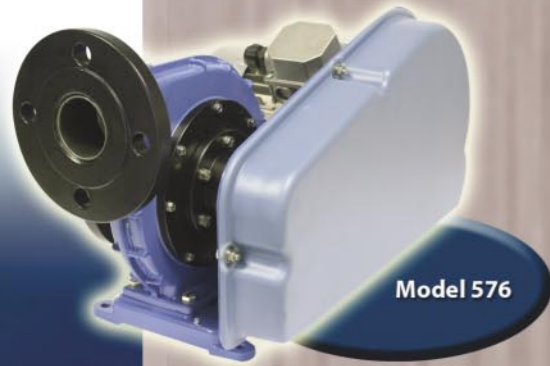


PACKAGE BOOSTERS

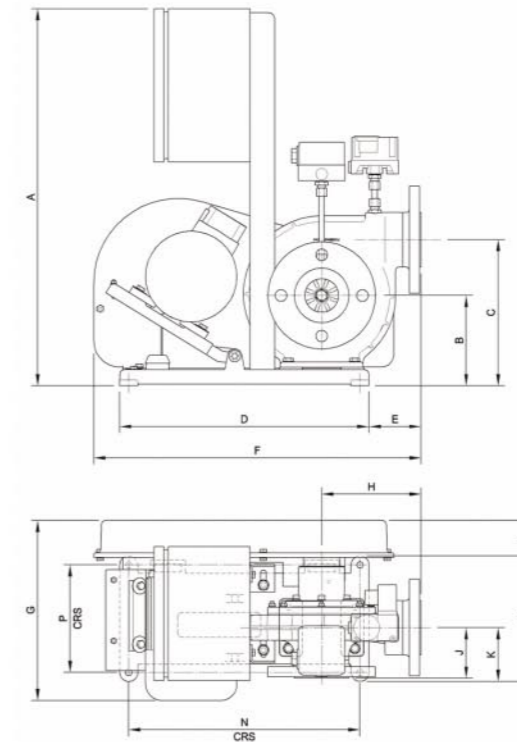


GAS BOOSTERS

Performance Data



Dimensional Data - Package Booster



MODEL	A	B	C	D	E	F	G	H
SGP-576	581	140	225	382	80	511	277	152
SGP-535	634	178	305	432	82	590	303	180
SGP-540	635	202	353	457	138	708	401	237

MODEL	J	K	L	M	N	P	Inlet Flange	Outlet Flange
SGP-576	78	79	55	190	355	162	DN50	DN50
SGP-535	101	107	62	213	378	143	DN80	DN50
SGP-540	115	128	52	282	419	184	DN100	DN80



Secomak Limited.

330 Centennial Park, Elstree, Hertfordshire, WD6 3TJ, UK.

Tel: +44 (0) 208 7321 300 Fax: +44 (0) 208 7321 301 Email: sales@secomak.com Web: www.gas-boosters.com

Gas Boosters...the safe choice