

SUPERIOR GAS



The Saint Roch Superior Gas boiler is a compact condensation boiler and is efficient and pleasant to install and use.



 **Saint Roch** 
The warmth of your life

SUPERIOR GAS

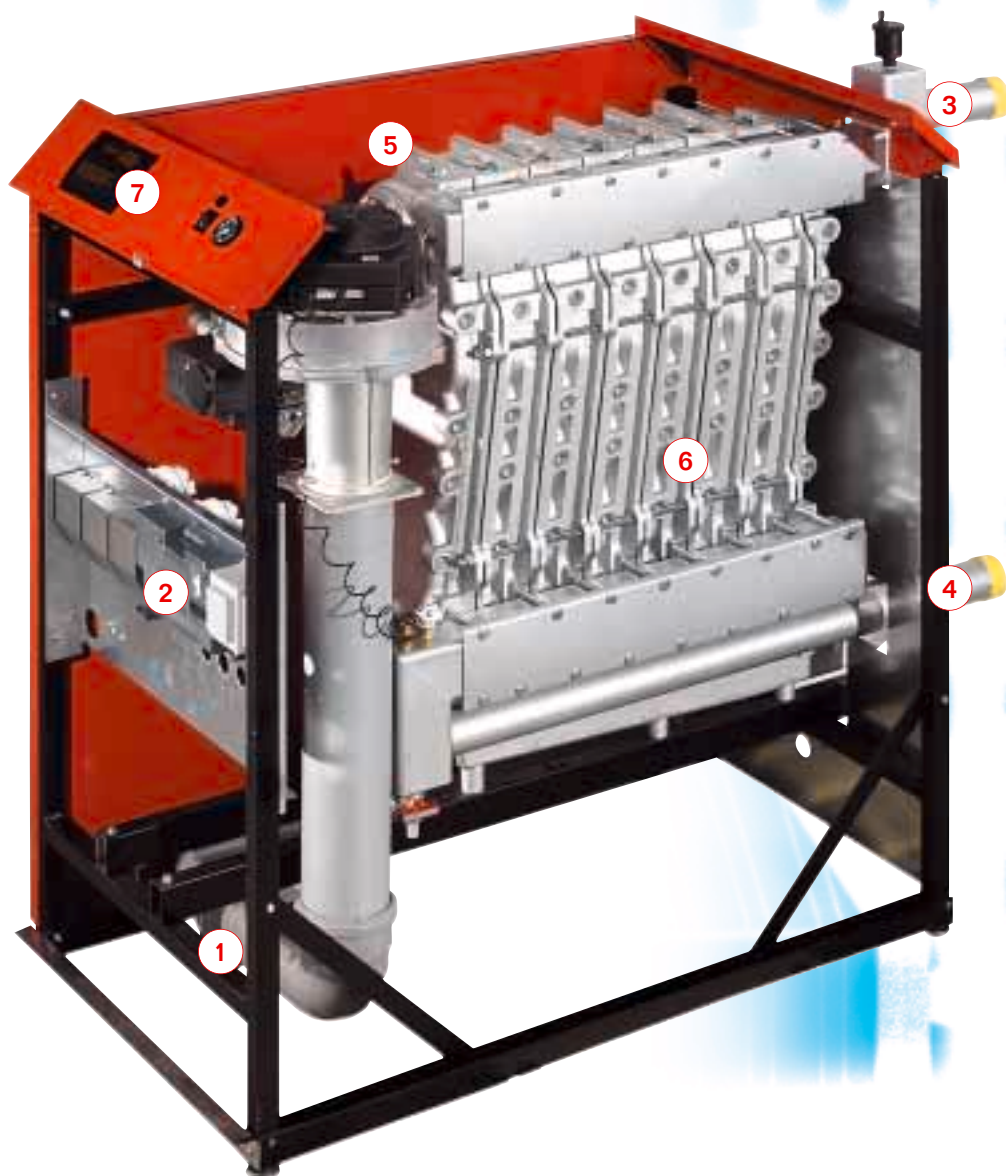
Superior Gas, a lightweight, compact, efficient and pleasant to use boiler

NEW

The Superior gas is Saint Roch's new gas condensation boiler that combines efficiency and compactness.

This gas boiler is so compact that it can be placed anywhere.

Saint Roch guarantees reliable and perfect operation, due to its simple regulation system.



**EFFICIENCY
108 %**

- | | | | |
|---|----------------|---|--------------------------|
| 1 | Air duct | 5 | Fan |
| 2 | MCBA - control | 6 | Aluminium heat exchanger |
| 3 | Supply | 7 | Control panel |
| 4 | Return | | |



HEAT EXCHANGER

The aluminium heat exchanger combines the following characteristics :

- A very efficient heat exchanger with an efficiency of up to 108 %
- Perfect heat transmission
- Lightweight (280 kW - 245 kg)



PREMIX BURNER

The integrated premix burner guarantees maximum mixing of gas and air. The result is minimal releases of harmful substances.

CO < 35 ppm
NOx < 20 ppm

CONTROL SYSTEM

An integrated control system, fully controlled by a computer, enables the installer and the user to adjust all parameters as a function of his own wishes and requirements.

Also available :

- The 0 - 10 V DC signal
- The interface for an Open-Therm communication
- RS 485 & E-bus

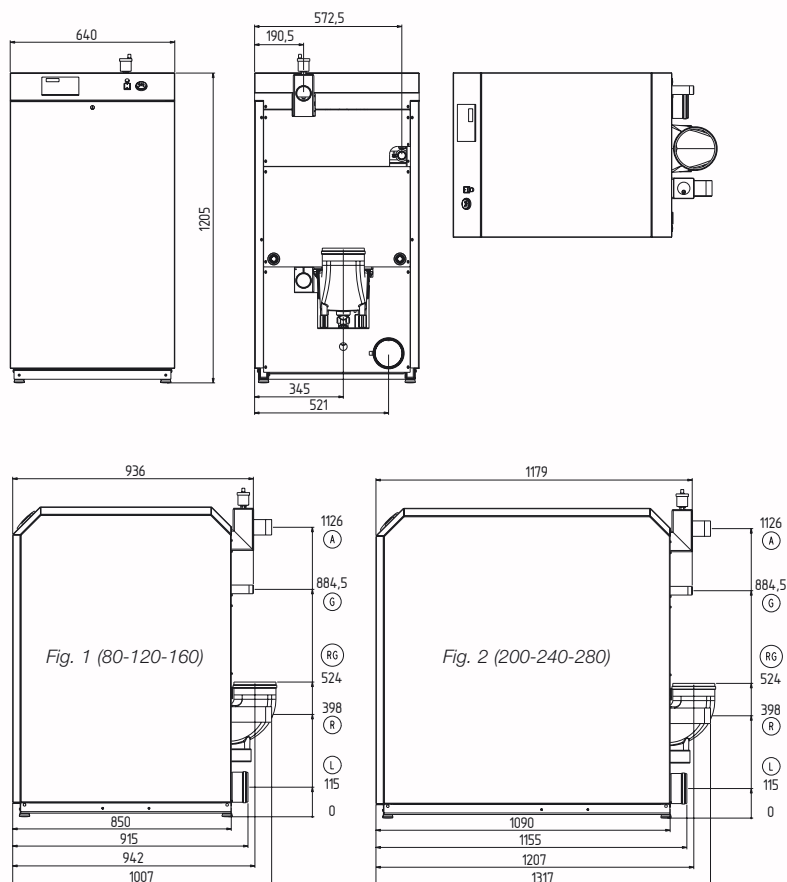


SUPERIOR GAS

Technical data



Min / max operating pressure : 0.8 / 6 bars
Maximum operating temperature : 90°C.



Model	80-3	120-4	160-5	200-6	240-7	280-8
Nominal power, kW	14-77	21-116	26-155	43-193	46-232	50-271
Nominal power, kW	15-80	22-120	28-161	46-200	49-240	54-280
Gas flow G 20, kW	1,41-8,1	12,22-12,1	2,72-16,1	4,44-20,2	4,83-24,2	5,24-28,2
Flue flow,	19-109	30-164	38-224	63-285	67-336	73-392
CO release	25	25	35	30	25	28
NOx release	15	15	20	15	15	15
Ø gas connection	R1"	R1"	R1"	R1"	R1"	R1"
Ø supply	2"	2"	2"	2"	2"	2"
Ø return	2"	2"	2"	2"	2"	2"
Ø flue outlet	150	150	150	200	200	200
Ø air supply, mm	110	110	110	110	110	110
Water content, litres (without manifold)	5,74	8,07	10,4	12,73	15,05	17,37
Weight, kg	150	168	186	210	227	245

The boiler is approved for a B23, B33, C13, C33, C43, C53, C83 connections - Gas category I2E(S)B : operates with natural gas (G20, G25).

Your distributor



Saint Roch Couvin
Rue de la Gare, 36
B 5660 COUVIN
Tel : 060/34 56 51
Fax : 060/34 62 28 (commercial)
060/34 56 58 (administrative)
www.saintroucouvin.com
E-mail : info@saintroucouvin.com