



SkyBlade

FAN COMPANY

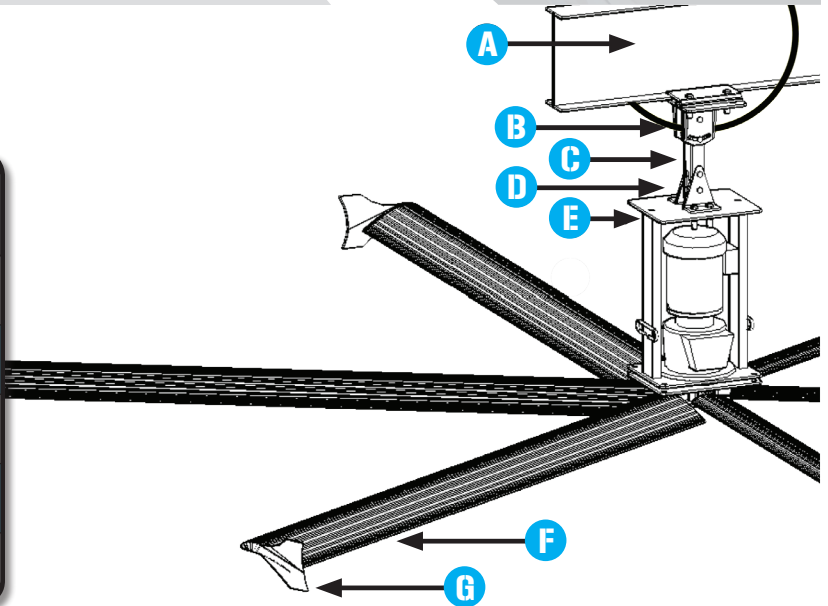
WHERE FORM FOLLOWS FUNCTION

Patent Pending

STOL SKYBLADE

Product Line Offering

Model Range	Area Covered	Maximum Effective Diameter
STOL-1236	11,304 Ft ² (1050.2 m ²)	120 Ft. (36.5m)
STOL-1443	15,386 Ft ² (1429.4 m ²)	140 Ft. (42.6m)
STOL-1649	20,096 Ft ² (1866.9 m ²)	160 Ft. (48.7m)
STOL-1855	25,434 Ft ² (2362.8 m ²)	180 Ft. (54.8m)
STOL-2061	31,400 Ft ² (2917.1 m ²)	200 Ft. (60.9m)



TECHNICAL SPECIFICATIONS

Models	Fan CMM	Fan CFM	Fan RPM	Motor RPM	Clearances
STOL-1236	2905	102,579	88	1,725	1.8 Ft. (0.55m)
STOL-1443	3806	134,410	70	1,725	2.1 Ft. (0.64m)
STOL-1649	4725	166,856	65	1,725	2.4 Ft. (0.73m)
STOL-1855	5323	187,965	54	1,725	2.7 Ft. (0.82m)
STOL-2061	6000	211,895	48	1,725	3.0 Ft. (0.91m)

FAN DIAGRAM

Maximum and Minimum Extension Bar Drop

- A. Safety Cable
- B. Upper Yoke
- C. Extension Bar
- D. Lower Yoke
- E. Chassis
- F. Airfoil
- G. Wingtip Fence

Destratification

Reduce energy costs by up to 30% by minimizing the temperature differential from the ceiling to the floor.



Figure 1 - Before

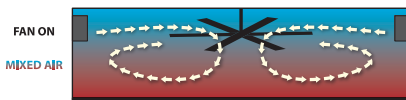


Figure 2 - After

ELECTRICAL SPECIFICATIONS

Available Variable Frequency Drives Depending on Customer Requirements

Input/Output Voltage	Input (Hz)	Input/Output Phase
115/230V	50/60 Hz	1/3
230/230V	50/60 Hz	1/3
230/230V	50/60 Hz	3/3
460/230V	50/60 Hz	3/3
575/230V	50/60 Hz	3/3

MODEL NOMENCLATURE

Series	STOL				STOL				STOL				STOL				STOL			
Diameter	12'/3.6M				14'/4.3M				16'/4.9M				18'/5.5M				20'/6.1M			
Blades	6				6				6				6				6			
Voltage Input*	115	230	460	575	115	230	460	575	115	230	460	575	115	230	460	575	115	240	460	575

Model Number Ordering Format: **SERIES - DIAMETER - BLADES - INPUT VOLTAGE**; Sample Model Number: **STOL-1649-623**

*Single phase available. 115V or 230V with both 50 Hz. and 60Hz. *Three phase available. 230V, 460V or 575V with both 50 Hz. and 60Hz.

PHYSICAL SPECIFICATIONS

Specifications

Models	Blades	Installed Weight	Diameter	Ship Weight
12' STOL	6	220 lbs. (100 kg)	12 Ft. (3.6m)	270 lbs. (123 kg)
14' STOL	6	235 lbs. (107 kg)	14 Ft. (4.3m)	285 lbs. (130 kg)
16' STOL	6	250 lbs. (114 kg)	16 Ft. (4.9m)	300 lbs. (136 kg)
18' STOL	6	265 lbs. (121 kg)	18 Ft. (5.5m)	315 lbs. (143 kg)
20' STOL	6	280 lbs. (127 kg)	20 Ft. (6.1m)	330 lbs. (150 kg)

APPLICATION DETAILS

See design guide at www.skybladefans.com

Approx. Room Size	Ceiling Height				Recommended Fan Diameter
	15'	25'	35'	45'	
40' x 40' (12m x 12m)	12' (3.6m)	14' (4.3m)	16' (4.9m)	18' (5.5m)	
50' x 50' (15m x 15m)	14' (4.3m)	16' (4.9m)	18' (5.5m)	20' (6.1m)	
60' x 60' (18m x 18m)	14' (4.3m)	18' (5.5m)	18' (5.5m)	20' (6.1m)	
70' x 70' (21m x 21m)	16' (4.9m)	18' (5.5m)	18' (5.5m)	20' (6.1m)	
80' x 80' (24m x 24m)	16' (4.9m)	18' (5.5m)	20' (6.1m)	20' (6.1m)	
90' x 90' (27m x 27m)	18' (5.5m)	20' (6.1m)	20' (6.1m)	20' (6.1m)	

ENERGY SAVINGS

Energy savings using ASHRAE data on city specific heating degree days (HDD).

City	Annual Energy per 20,000 Ft ²	Savings @ 20%	Simple Payback Years	Annual ROI	5 Year ROI	Fan Only 5 Year ROI	Fan & Install 5 Year NPV
Minneapolis, MN	19,849	3,970	1.39	72%	304%	11,530	10,586
Milwaukee, WI	17,977	3,595	1.53	65%	275%	10,043	9,099
Chicago, IL	15,902	3,180	1.73	58%	244%	8,393	7,449
Detroit, MI	15,497	3,099	1.77	56%	237%	8,072	7,128
Omaha, NE	15,141	3,028	1.82	55%	232%	7,788	6,845
Cleveland, OH	15,021	3,004	1.83	55%	230%	7,693	6,749
Denver, CO	14,594	2,919	1.88	53%	224%	7,354	6,410
Pittsburgh, PA	14,439	2,888	1.90	53%	221%	7,231	6,287
Boise, IA	14,144	2,829	1.94	51%	217%	6,996	6,052
Boston, MA	13,415	2,683	2.05	49%	205%	6,416	5,472
Philadelphia, PA	12,671	2,534	2.17	46%	194%	5,825	4,881
New York, NY	12,579	2,516	2.19	46%	193%	5,753	4,809
Seattle, WA	12,538	2,508	2.19	46%	192%	5,719	4,776
St. Louis, MO	12,073	2,415	2.28	44%	185%	5,350	4,406
Kansas City, MO	11,703	2,341	2.35	43%	179%	5,056	4,112
Baltimore, MD	11,228	2,246	2.45	41%	172%	4,678	3,734
Portland, OR	11,190	2,238	3.46	41%	171%	4,649	3,705
Oklahoma City, OK	8,877	1,775	3.10	32%	136%	2,810	1,866
Reno, NV	8,586	1,717	3.20	31%	132%	2,579	6,735
Norfolk, VA	7,919	1,584	3.47	29%	121%	2,040	1,105
Little Rock, AR	7,649	1,530	3.60	28%	117%	1,834	891
Greensboro, NC	7,330	1,466	3.75	27%	112%	1,580	636
Memphis, TN	7,224	1,445	3.81	26%	111%	1,496	552
Oakland, CA	7,121	1,424	3.86	26%	109%	1,414	470

Natural gas prices estimated par BTU (\$11.30 per MCF). Building design will effect results as will the price difference of gas.



24501 Hoover Road
Warren, MI 48089 USA
T: 586.806.5107
sales@skybladefans.com