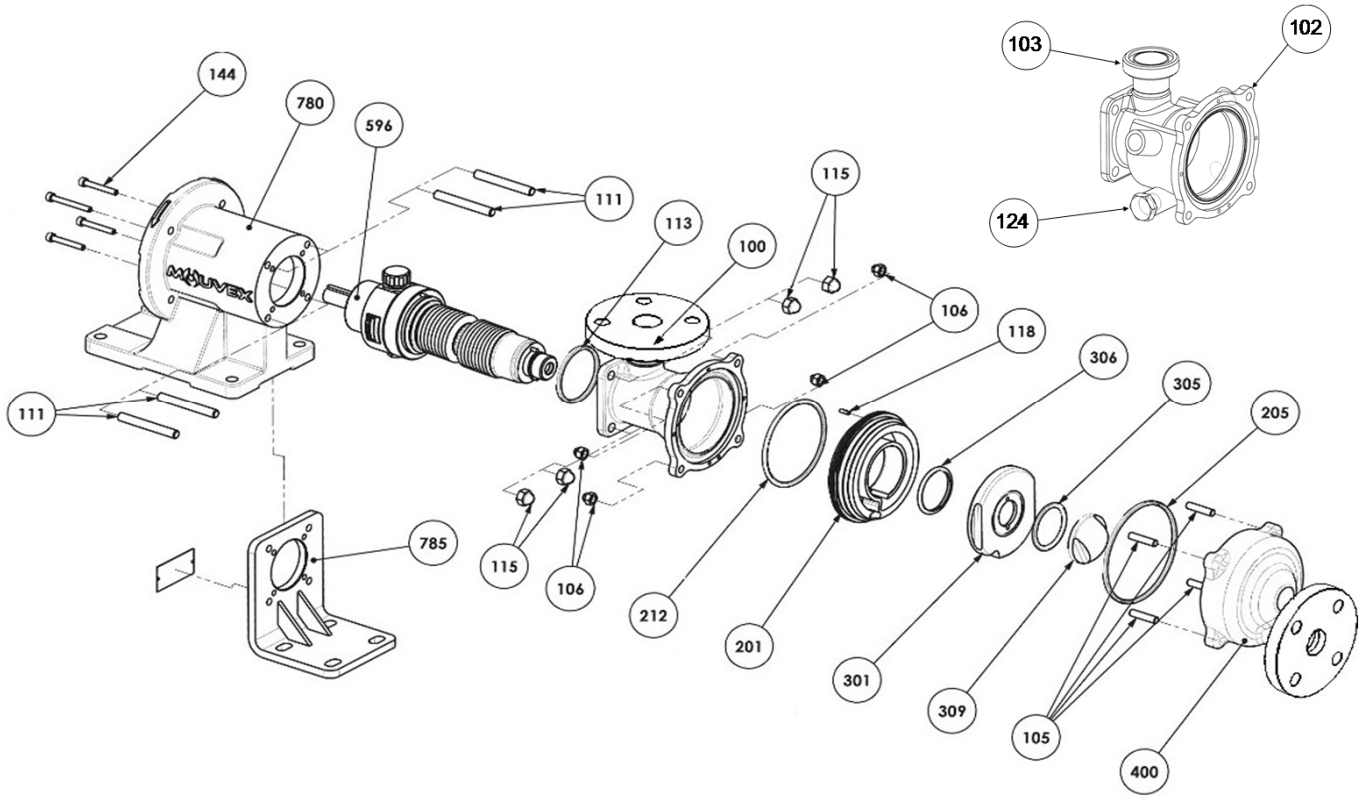


(See Instructions 1004-A00 for Installation, Operation and Maintenance)

Section	1004
Effective	December 2013
Replaces	September 2013

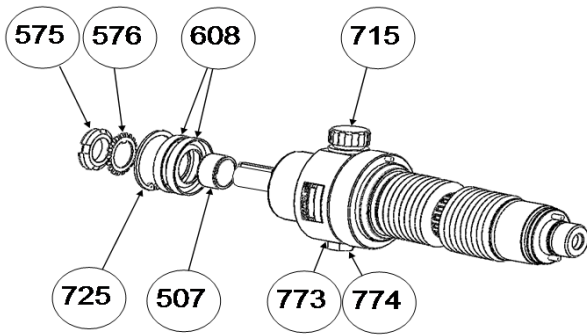


Reference			Description	Qty order / (in pump)	Article code			Kit/Part
Ass.	Part	Available			SLC 1	SLC 2	SLC 3	
100		◆	Standard Inlet manifold PN16 DN40*	1	314856.00			
100		◆	Standard Inlet manifold PN20 DN40*	1	314854.00			
100		◆	Jacketed Inlet manifold PN16 DN40*	1	314922.00			
100		◆	Jacketed Inlet manifold PN20 DN40*	1	314921.00			
	102		Inlet tube	(1)				
	103		Connection	(1)				
	124		Plug (with Jacketed Inlet)	(2)				
119		◆	Set of studs and nuts	1	314798.00			
119		◆	Set of studs and nuts - ATEX pressure switch	1	315276.00			
	106		Blind nut	(4)				
	105		Stud	(4)				
	115		Blind nut	(4)				
	111		Stud (BMS Pressure switch ATEX : Qty 2)	(4)				
	111A		Stud (BMS Pressure switch ATEX only)	(2)				
200		◆	Set cylinder/Piston	1	314814.01	314815.01	314816.01	■ •
	201		Complete Cylinder	(1)				
	118		Pin	(1)				
	301		Piston	(1)				
	309	▲	Piston screw	1	226535			
206		◆	Set of FKM 'O' ring seals	1	314820.01			■ •
206		◆	Set of CVT (FEP encapsulated FKM) 'O' ring seals	1	314821.00			■ •
	113		Seal	(1)				
	205		Seal Ring	(1)				
	212		Seal	(1)				
	305		Seal	(1)				
	306		Seal	(1)				
400		◆	Front cover PN16 DN40*	1	314878.01			
400		◆	Front cover PN20 DN40*	1	314876.01			
	405		Front cover plate	(1)				
	404		Front cover connection	(1)				

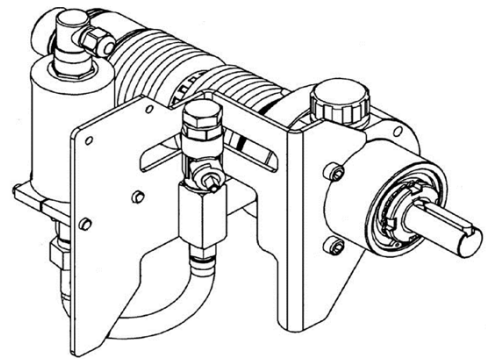
\* C1 / C2 interchangeable main body or front cover : Consult us.

(◆) Sets of parts or (▲) parts available to order.

■ Kit/Part for maintenance • Wear parts



Complete transmission



Transmission with ATEX pressure switch BMS\*\*

Reference			Description	Qty order / (in pump)	Article code			Kit/Part
Ass.	Part	Available			SLC 1	SLC 2	SLC 3	
596		◆	<b>COMPLETE TRANSMISSION (see pump with transmission page 3) :</b>	1		314797.01		
			<b>without BMS**</b>					
			<b>with BMS** pressure switch</b>					
596B		◆	except pump with suction port in position 1	1		315685.02		
596C		◆	for pump with suction port in position 1	1		315805.02		
596B		◆	except pump with suction port in position 1 - ATEX	1		315275.02		
596C		◆	for pump with suction port in position 1 - ATEX	1		315806.02		
9		◆	<b>Bearing gaskets / screws set</b>	1		315025.00		
	507		Ring	(1)				
	725		Circlip	(1)				
	608		Lip seal	(2)				
	575		Nut	(1)				
	576		Washer	(1)				
8		◆	<b>Plugs set</b>	1		311441.00		
	715		Breather	(1)				
	773		Plug	(1)				
	774		Seal	(1)				
24		◆	<b>Lantern screws set</b>	1		315026.00		
24		◆	<b>Bended bracket screws set</b>	1		315286.02		
	144		Screw	(4)				
785		▲	<b>Bended bracket</b>	1		228366		

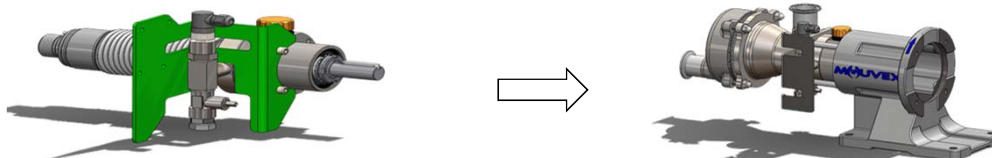
\*\* BMS : Bellows monitoring system

(◆) Sets of parts or (▲) parts available to order.

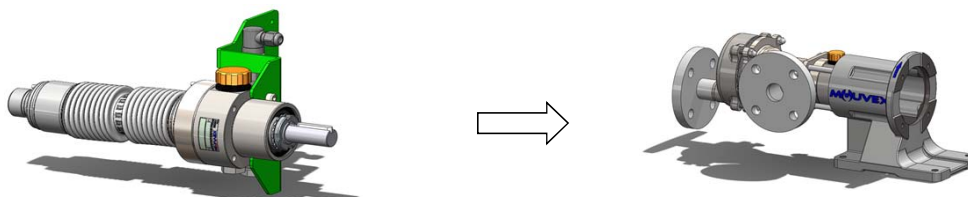
■ Kit/Part for maintenance • Wear parts

## PUMP WITH COMPLETE TRANSMISSION

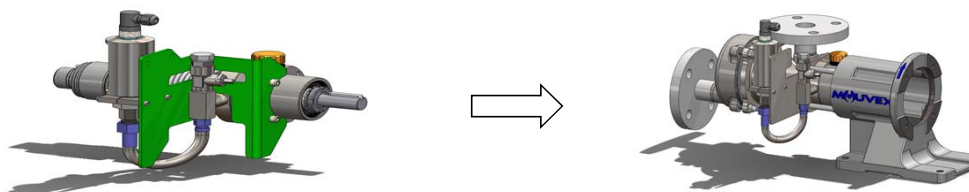
Transmission with BMS pressure switch except pump with suction port in position 1



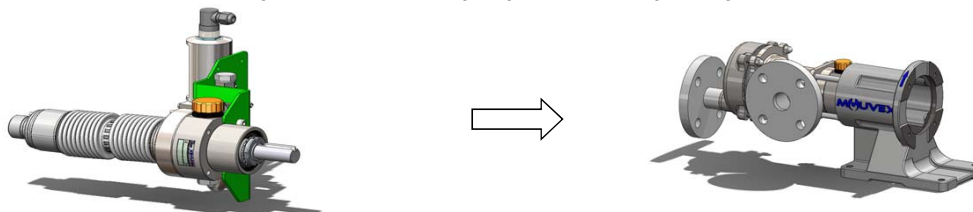
Transmission with BMS pressure switch for pump with suction port in position 1



Transmission with BMS pressure switch except pump with suction port in position 1 - ATEX



Transmission with BMS pressure switch for pump with suction port in position 1 - ATEX



Keep this parts lists with Installation, Operation and Maintenance Instructions.



Z.I. la Plaine des Isles - 2 rue des Caillottes F-89000 AUXERRE - France  
Tel : +33 (0)3 86 49 86 30 • Fax : +33 (0)3 86 49 87 17  
contact@mouvex.com • www.mouvex.com